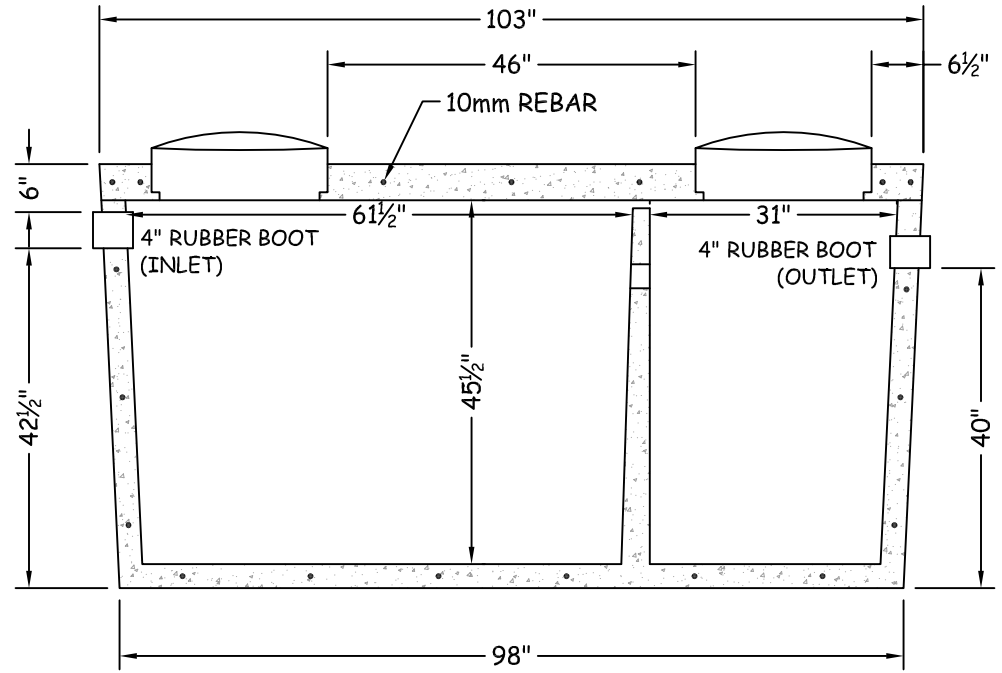


END VIEW (INLET)



SECTION

Rev	Date	Description	App'd by			Address:	
TOTAL WEIGHT 9,020 LBS • LID CAST WITH 20"Ø POLYLOCK RISER • SUPPLIED WITH REMOVABLE COVER • TANK & LID REINFORCED WITH 10mm REBAR • 32mpa CONCRETE WITH NOVOMESH 950 FIBERS						1748 Alberni Hwy Coombs, BC V9P 2B8	
Date: MAY 2014 Drawn By: CompuCAD.ca				Scale: 1/2"=1'-0" Approved By:		Description: 600 GALLON SEPTIC TANK Tel: (250) 927-TANK (8265) Website: www.vancouverislandprecast.com Email: vancouverislandprecast@gmail.com	
Scale and/or dimensions are approximate and are to be used as a guide only. This drawing and the information contained herein is the property of Vancouver Island Precast Ltd. and is not to be copied or re-issued.				Approval Date		Dwg No.	
						Rev.	

