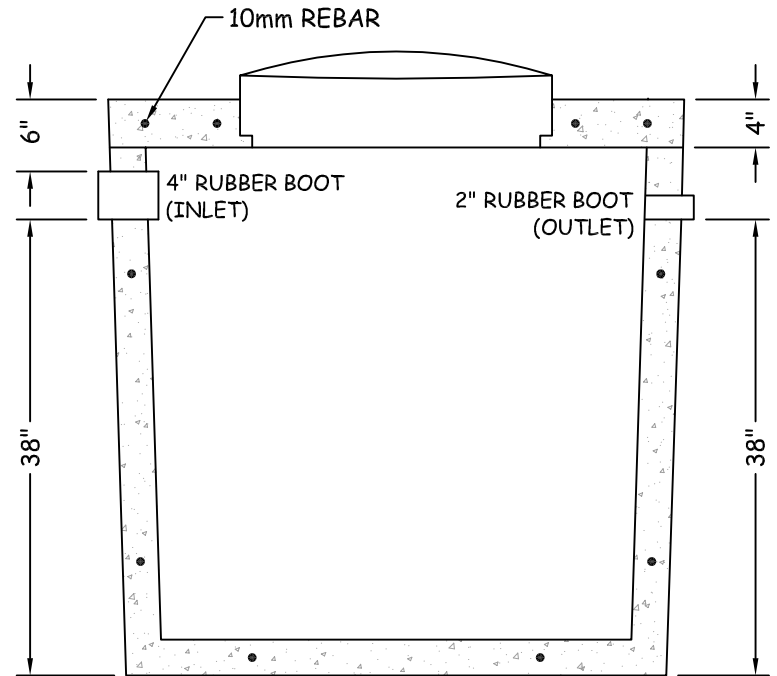


END VIEW (INLET)



SECTION

Rev	Date	Description	App'd by			Address: 1748 Alberni Hwy Coombs, BC V9P 2B8		
TOTAL WEIGHT 3,650 LBS • LID CAST WITH 24"Ø POLYLOCK RISER • SUPPLIED WITH REMOVABLE COVER • TANK & LID REINFORCED WITH 10mm REBAR • 32mpa CONCRETE WITH NOVOMESH 950 FIBERS				Date: MAY 2014 Scale: $\frac{3}{4}"=1'-0"$		Description: 250 GALLON PUMP CHAMBER		
Scale and/or dimensions are approximate and are to be used as a guide only. This drawing and the information contained herein is the property of Vancouver Island Precast Ltd. and is not to be copied or re-issued.				Drawn By: CompuCAD.ca	Approved By:	Approval Date	Dwg No.	Rev.



Tel: (250) 927-TANK (8265)
 Website: www.vancouverislandprecast.com
 Email: vancouverislandprecast@gmail.com