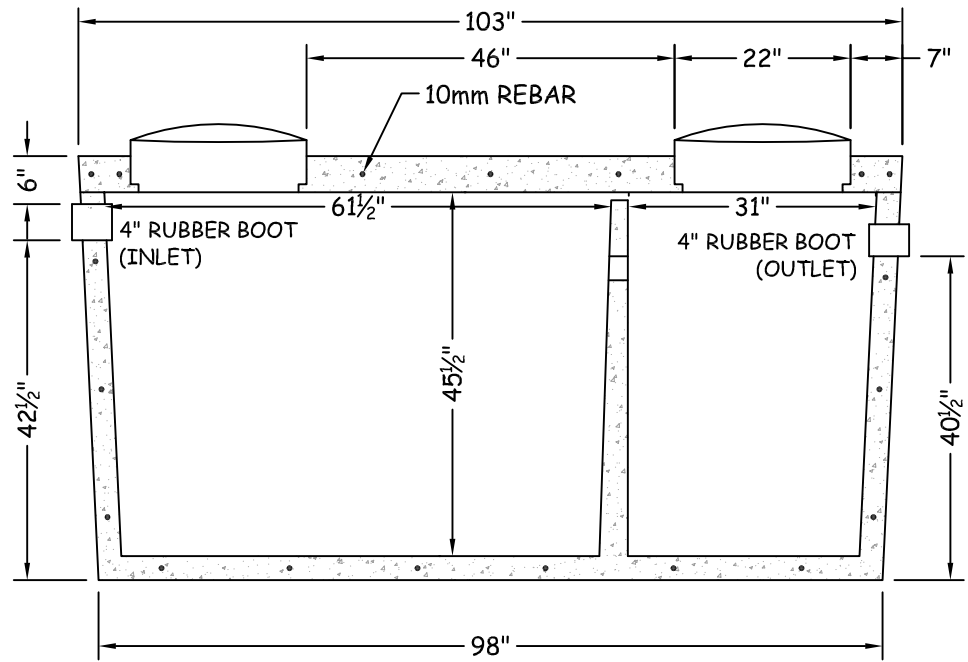



END VIEW (INLET)



SECTION

Rev	Date	Description	App'd by					Address:
TOTAL WEIGHT 12,450 LBS • LID CAST WITH 20"Ø POLYLOCK RISER • SUPPLIED WITH REMOVABLE COVER • TANK & LID REINFORCED WITH 10mm REBAR • 32mpa CONCRETE WITH NOVOMESH 950 FIBERS • TANK DIVIDER REINFORCED WITH 6" x 6" STEEL MESH				Date: MAY 2014 Scale: 1/2"=1'-0"		Description: 1,050 GALLON SEPTIC TANK		1748 Alberni Hwy Coombs, BC V9P 2B8 Tel: (250) 927-TANK (8265) Website: www.vancouverislandprecast.com Email: vancouverislandprecast@gmail.com
Scale and/or dimensions are approximate and are to be used as a guide only. This drawing and the information contained herein is the property of Vancouver Island Precast Ltd. and is not to be copied or re-issued.				Drawn By: CompuCAD.ca	Approved By:	Approval Date	Dwg No.	Rev.